



art metal

10B OPAL LED

F.P.H. Art Metal Sp.j.

Ul. Jabłoniowa 124, 83-331 Łapino Kartuskie, Poland
Tel. 0048 58 681 80 78, Fax: 0048 58 681 80 64
www.art-metal.pl e-mail: biuro@art-metal.pl

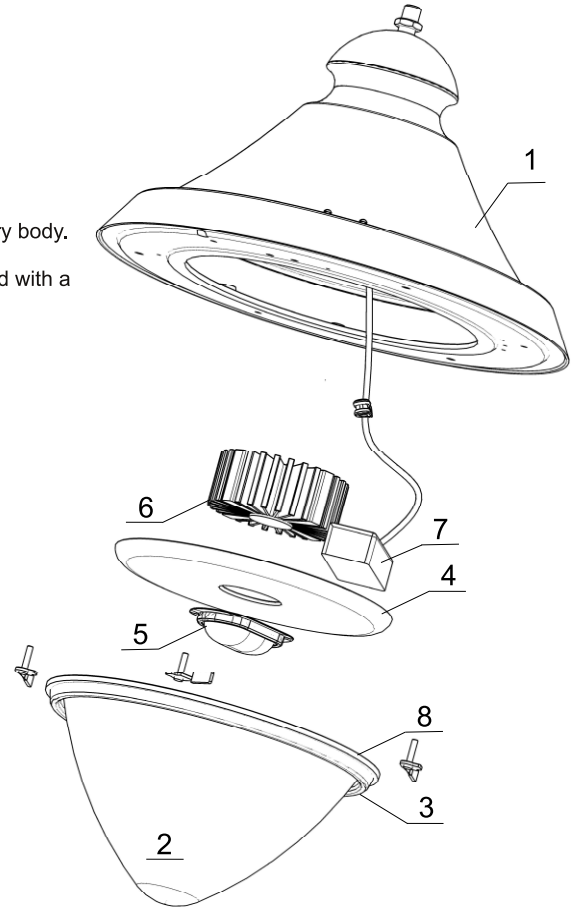
Construction:

The unit consist of a body (1). A shade (3) is mounted to the luminary body with a ring (3). A disk (4) separating electrical compartment from lighting compartment is attached to a luminary body. A LED light source radiator is settled to the disk (4). LED module is mounted to the radiator (6) and tightly closed with a lens The module is powered with a voltage power supply (7). The luminary is sealed with a gasket (8).

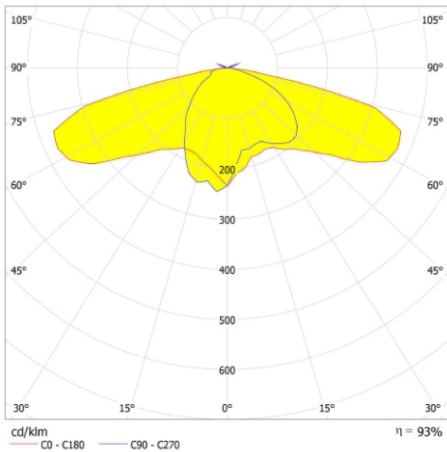
Mounting instructions:

- Screw the radiator (6) to mount an LED light source to the disk (4).
- Connect the electrical cables according to the scheme.
- Tighten bolts to mount a disk (4) to the luminary body (1).
- Mount the shade (2) to the body (1) with a ring (3). Tighten mounting bolts.
- The luminary is mounted to the lantern with a M20 thread (hanged luminary).

If any lantern elements are supplied factory-mounted, the mounting stages marked with *) should be omitted (as this has already been done by the manufacturer).



TECHNICAL DATA:



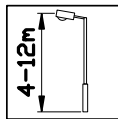
Photometry (polar plot)

Power: ~230/50Hz

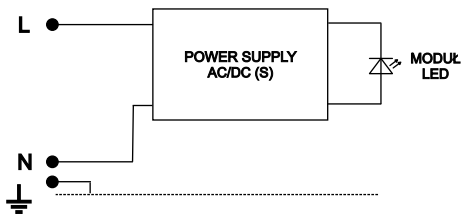
Protective class: I

IP66 -electrical part

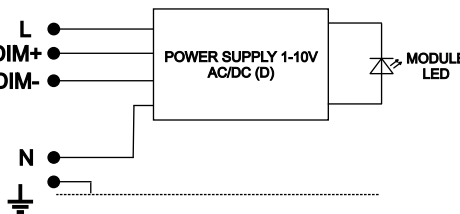
IP66 -optical part



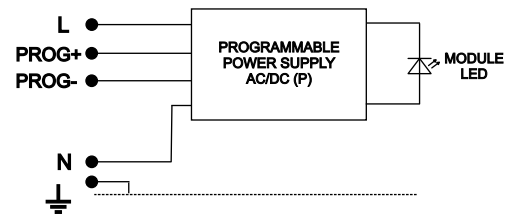
ELECTRICAL DIAGRAMS:



1. Module LED -basic power supply (S)




2. Module LED -dimnable power supply (D)



3. Module LED -programmable power supply (P)

Type	Light-prod. element	Luminous flux[lm]		Weight [kg]	Pn [W]	Luminary dimensions	
		3000K (830)	4000K (840)				
10BL-22W	CXB2540	2990	3170	7,1	22		
10BL-33W	CMA2550	4286	4609	7,1	33		
10BL-38W	CMA2550	4842	5207	7,1	38		
10BL-50W	CMA2550	6131	6593	7,1	50		
10BL-58W	CMA2550	6896	7415	7,1	58		

Wind area A = 0,21m² L/D 575/600



WARNING !! The weight of the unit may slightly differ for individual production batches.

