



art metal

WR4 LED

F.P.H. Art Metal Sp.j.

Ul. Jabłoniowa 124, 83-331 Łapino Kartuskie, Poland
 Tel. 0048 58 681 80 78, Fax: 0048 58 681 80 64
 www.art-metal.pl e-mail: biuro@art-metal.pl

Construction:

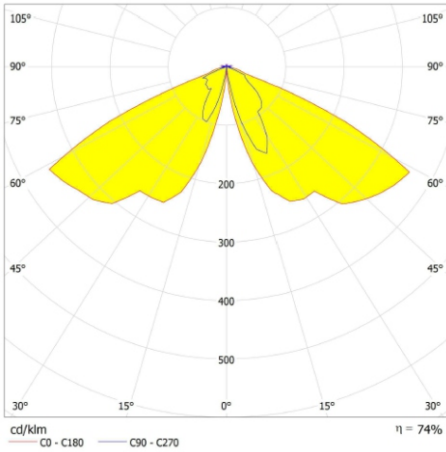
Luminary consists of 2 aluminum parts (1,2). A shade (4) is mounted to them with a adapter (3). There is a LED light source radiator (5) mounted to the body part (1) on the top of the luminary. Bottom body part (2) is tightly closed with a luminary shade (4) with adapter (3) and M12 nut (6). LED modul (7) is mounted to the radiator (5) and tightly closed with a lens (8). The luminary is mounted to the pole with a holdfast (set screw) (9). The luminary is sealed with gaskets (10). Power supply (11) is placed in the bottom of luminary.

Mounting instruction:

- *)- Mount a radiator (5) with a LED light source to the top luminary part (1).
- *)- Connect the electrical cables.
- Connect an adapter and top luminary part (1) with a bottom part (2) through a shade (4).
- Screw tightly with a nut (7).
- Mount a power supply (11) to the bottom of luminary.

If any lantern elements are supplied factory-mounted, the mounting stages marked with *) should be omitted (as this has already been done by the manufacturer).

TECHNICAL DATA:



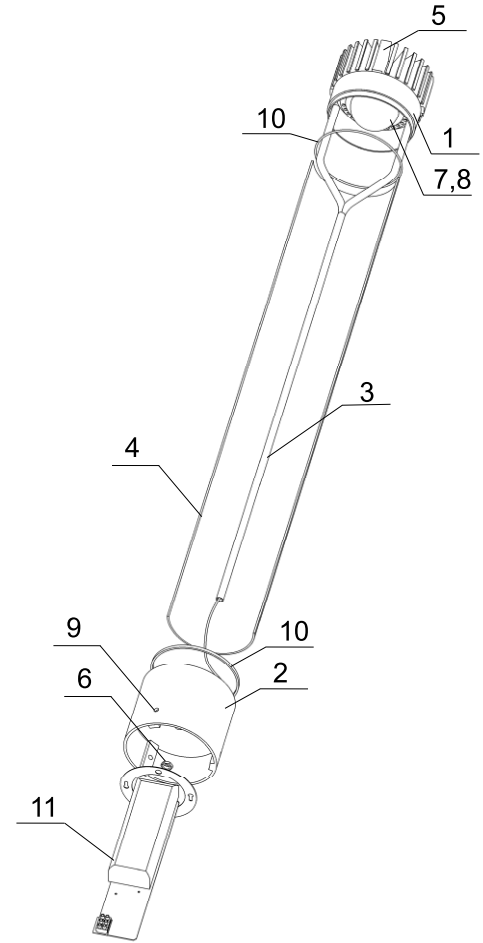
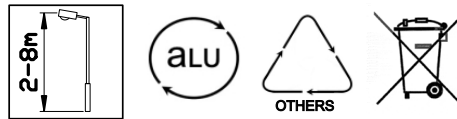
Photometry (polar plot)

Power: ~230/50Hz

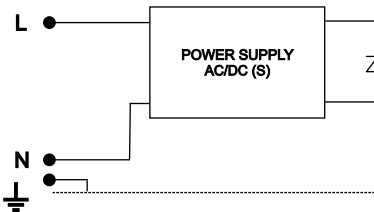
Protective class: I

IP66 -electrical part

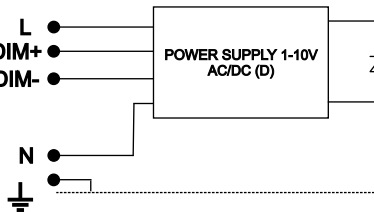
IP66 -optical part



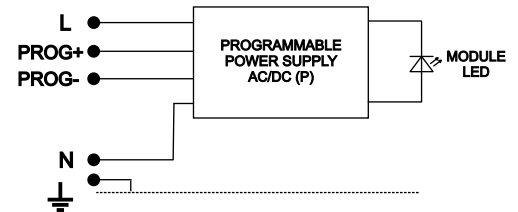
ELECTRICAL DIAGRAMS:



1. Module LED -basic power supply (S)



2. Module LED -dimnable power supply (D)



3. Module LED -programmable power supply (P)

Type	Light-prod. element	Luminous flux[lm]		Weight [kg]	Pn [W]	Luminary dimensions	
		3000K (830)	4000K (840)				
WR4L-22W	CXB2540	2990	3170	6,6	22		
WR4L-33W	CMA2550	4286	4609	6,6	33		
WR4L-38W	CMA2550	4842	5207	6,6	38		
WR4L-50W	CMA2550	6131	6593	6,6	50		
WR4L-58W	CMA2550	6896	7415	6,6	58		

Wind area A = 0,19m² L/D 1210/160

WARNING !! The weight of the unit may slightly differ for individual production batches.

