



**art metal**

**F.P.H. Art Metal Sp.j.**

Ul. Jabłoniowa 124, 83-331 Łapino Kartuskie, Poland  
 Tel. 0048 58 681 80 78, Fax: 0048 58 681 80 64  
 www.art-metal.pl e-mail: biuro@art-metal.pl

# 14 CENTURION LED

## Construction:

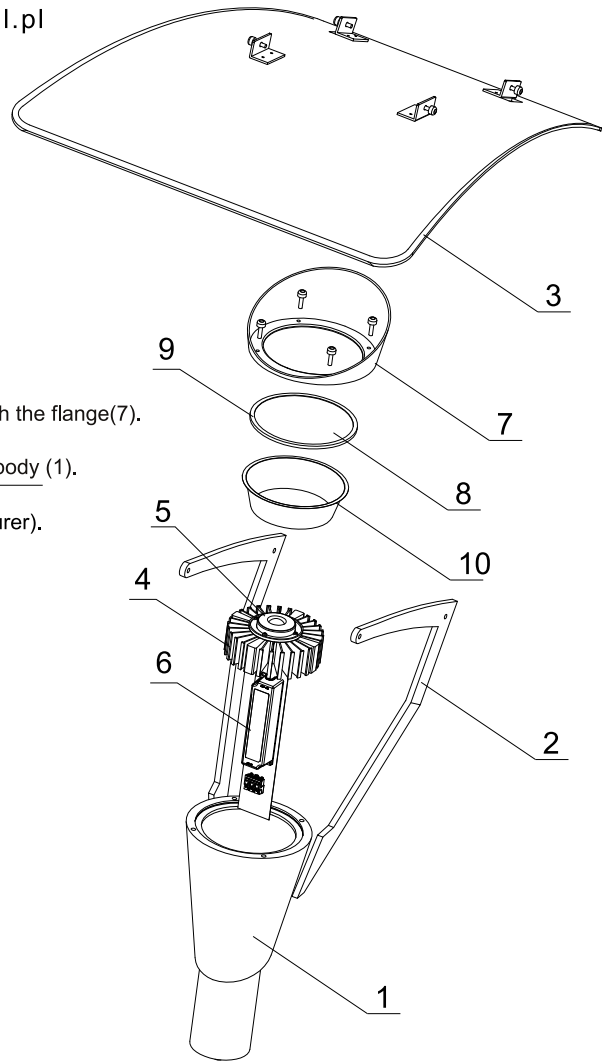
The luminaire consists of a body (1) with a light source, above which with a suport of arms (2), screen is placed (3). Inside the body (1) is a radiator (4) with LED module and silicone lens(5) along with power supply(6).

The body is closed with a flange (7), which presses down tempered glass shade (8) with gasket (9). Flange (7) is tightened with screws. There is a reflector between shade and radiator (10) made out of polished sheet. Luminaire is designed to be mounted on the top of a post, with a tip diameter from 101mm to 114mm.

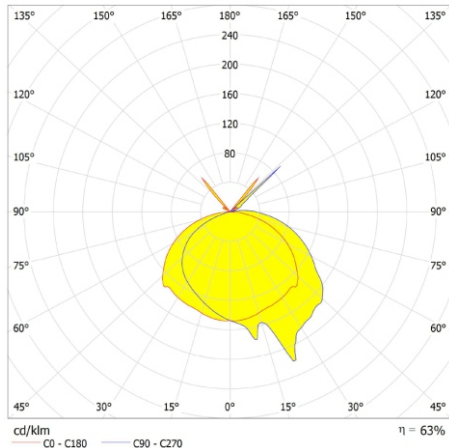
## Mounting:

- \*)-Combine screen (3) with arms (2) and body (1).
- \*)-Attach the light source inside the body, making necessary electrical connections.
- Insert into the body: (1) reflector (10), shade (8) with the gasket (9), and close entirely with the flange(7).
- Insert the wire into the pole and then put the luminaire on top of it.
- Set the luminaire in the working position, lock it by tightening the clamping screws in the body (1).

If any lantern elements are supplied factory-mounted, the mounting stages marked with \*) should be omitted (as this has already been done by the manufacturer).



## TECHNICAL DATA:



Photometry (polar plot)

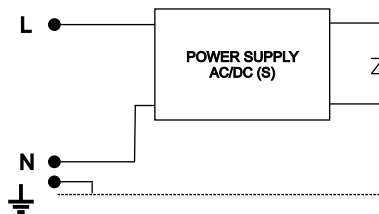
**Power: ~230/50Hz**

**Protective class: I**

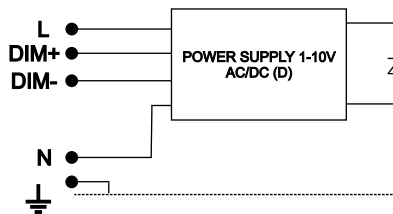
**IP66 -electrical part**

**IP66 -optical part**

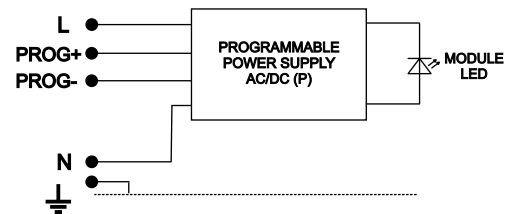
## ELECTRICAL DIAGRAMS:



1. Module LED -basic power supply (S)



2. Module LED -dimnable power supply (D)



3. Module LED -programmable power supply (P)

Type	Light-prod. element	Luminous flux[lm]		Weight [kg]	Pn [W]	Luminary dimensions	
		3000K (830)	4000K (840)				
14 L-22W	CXB2540	2990	<b>3170</b>	11,8	22		Wind area $A = 0,21m^2$  L/B/D 740/940/760
14 L-33W	CMA2550	4286	<b>4609</b>	11,8	33		
14 L-38W	CMA2550	4842	<b>5207</b>	11,8	38		
14 L-50W	CMA2550	6131	<b>6593</b>	11,8	50		
14 L-58W	CMA2550	6896	<b>7415</b>	11,8	58		

**WARNING !!** The weight of the unit may slightly differ for individual production batches.

