



art metal

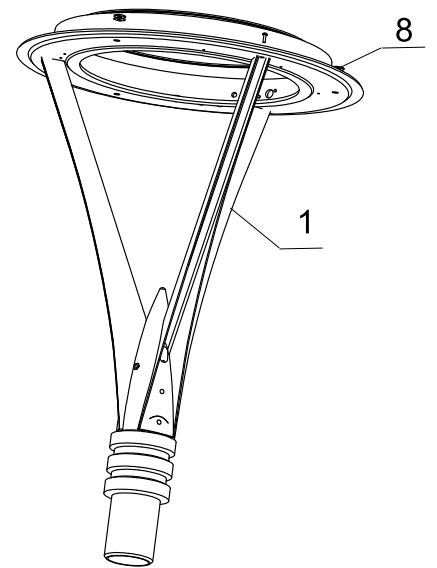
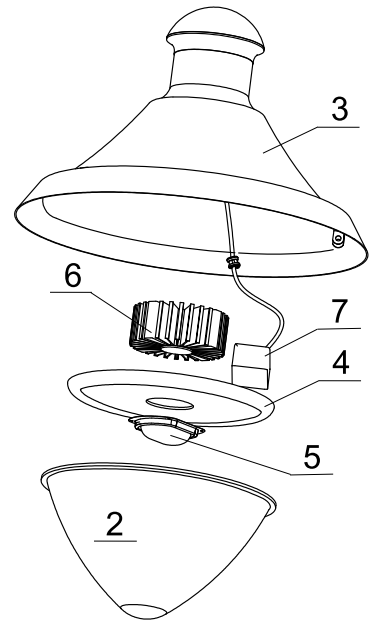
# 10 OPAL LED

F.P.H. Art Metal Sp.j.

Ul. Jabłoniowa 124, 83-331 Łapino Kartuskie, Poland  
Tel. 0048 58 681 80 78, Fax: 0048 58 681 80 64  
www.art-metal.pl e-mail: biuro@art-metal.pl

### Construcion:

The unit consists of a metal basket (1) holding a shade (2). A disk (4) separating electrical compartment from lighting compartment is attached to a luminary basket (1) on the top. A LED light source radiator (6) is mounted to the disk (4). LED module is mounted to the radiator (6) a tightly closed with a lens (5). Module is powered with a voltage power supply (7). The luminary cover (3) is mounted to the luminary body (1) with a hinge and closed with a screw so no additional tools are necessary. The luminary is sealed with a gasket (8).

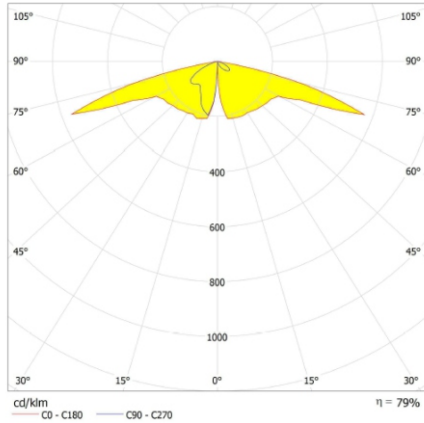


### Mounting instruction:

- \*)- Put the shade (2) into the basket (1)
- \*)- Screw the radiator (6) to mount an LED light source to the disk (4)
- Connect the electrical cables to the terminals of power supply (7)
- \*)- Screw tightly disk (4) to the luminary basket (1)
- Close the cover(3) using hand.
- Luminary is mounted on the top of the pole on  $\varnothing 45\text{-}\varnothing 90$  diameter.

If any lantern elements are supplied factory-mounted, the mounting stages marked with \*) should be omitted (as this has already been done by the manufacturer).

### TECHNICAL DATA:



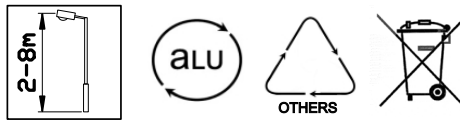
Photometry (polar plot)

Power: ~230/50Hz

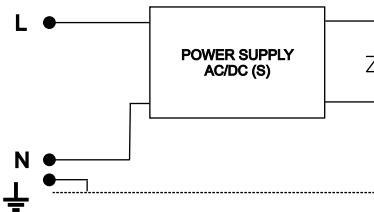
Protective class: I

IP66 -electrical part

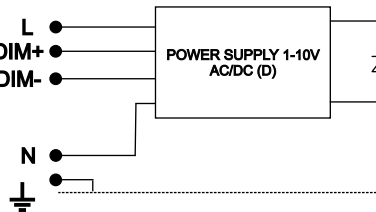
IP66 -optical part



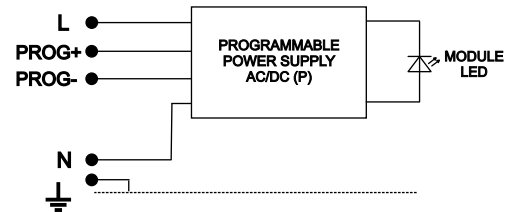
### ELECTRICAL DIAGRAMS:



1. Module LED -basic power supply (S)



2. Module LED -dimnable power supply (D)



3. Module LED -programmable power supply (P)

| Type    | Light-prod. element | Luminous flux[lm] |             | Weight [kg] | Pn [W] | Luminary dimensions  |
|---------|---------------------|-------------------|-------------|-------------|--------|--|
|         |                     | 3000K (830)       | 4000K (840) |             |        |  |
| 10L-22W | CXB2540             | 2990              | 3170        | 14,4        | 22     | <p>Wind area<br/><math>A = 0,28\text{m}^2</math></p> <p>L/D<br/>1170/600</p> |
| 10L-33W | CMA2550             | 4286              | 4609        | 14,4        | 33     |  |
| 10L-38W | CMA2550             | 4842              | 5207        | 14,4        | 38     |  |
| 10L-50W | CMA2550             | 6131              | 6593        | 14,4        | 50     |  |
| 10L-58W | CMA2550             | 6896              | 7415        | 14,4        | 58     |  |
|         |                     |                   |             |             |        |  |

**WARNING !!** The weight of the unit may slightly differ for individual production batches.

